



INSTALLATION INSTRUCTIONS FOR PART 99-3304

APPLICATIONS

Buick Terraza 2005-2008
Chevrolet Corvette 2005-2010
Chevrolet Uplander 2005-2008
Hummer H3 2006-2009
Pontiac Montana (SV6 only) 2005-2007
Saturn Relay 2005-2007

99-3304

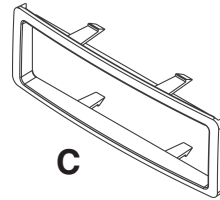
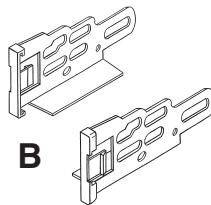
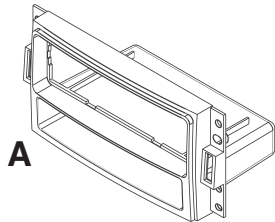
KIT FEATURES

- DIN Head Unit Provisions with Pocket
- ISO DIN Head Unit Provisions with Pocket



KIT COMPONENTS

A) Radio Housing • B) ISO Brackets • C) Trim Plate



WIRING AND ANTENNA CONNECTIONS (Sold Separately)

Harness:

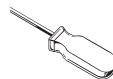
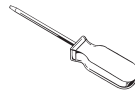
- GMOS-01 - GM Interface 2002-up
- GMOS-04 - GM Amplified Interface 2002-up

Antenna Adapter:

- 40-GM10 - GM antenna adapter 1988-up

TOOLS REQUIRED:

Socket Wrench • Flat Blade Screwdriver • Phillips Screwdriver



1-800-221-0932



www.metraonline.com

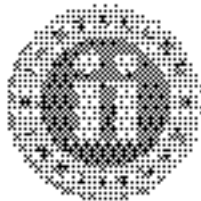
© COPYRIGHT 2004-2009 METRA ELECTRONICS CORPORATION



99-3304

TABLE OF CONTENTS

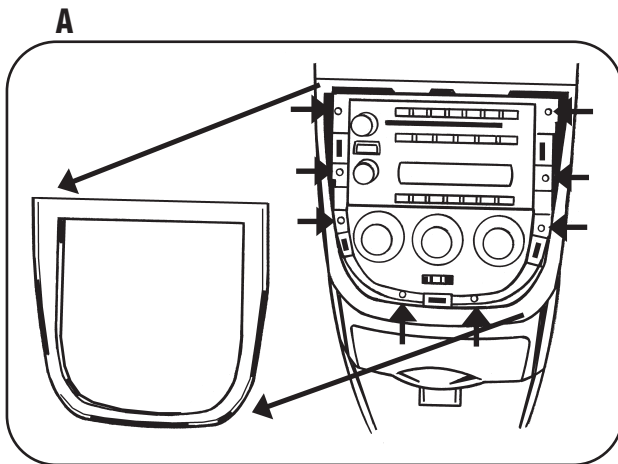
<i>Dash Disassembly</i>	1-3
<i>Kit Assembly</i>	4-5
<i>Final Assembly</i>	6



KNOWLEDGE IS POWER
Increase your installation and fabrication skills by enrolling in the most recognized and respected mobile electronics school in our industry. Log onto www.metradirectschool.com or call 800-809-8777 for more information and take steps toward a better tomorrow.

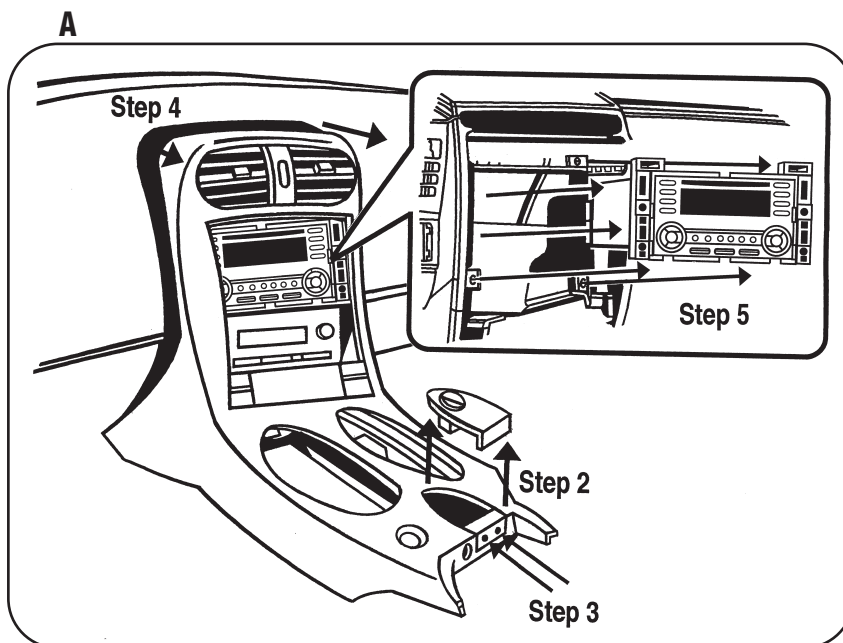
CHEVY UPLANDER, PONTIAC MONTANA
SV6, BUICK TERRAZA 2005-2008/
SATURN RELAY 2005-2007

- 1 Disconnect the negative battery terminal to prevent an accidental short circuit.
- 2 Unclip and remove trim panel around radio and a/c control. (Figure A)
- 3 Remove (8) 9/32" screws to extract radio and a/c control from sub dash. (Figure A)

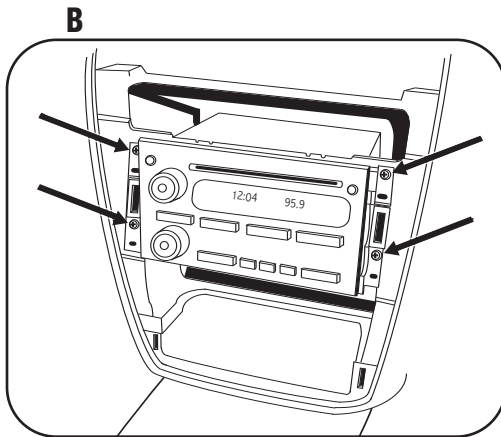
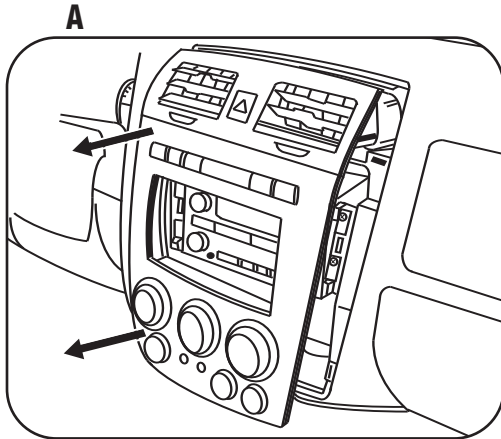


CHEVROLET CORVETTE 2005-2010

- 1 Disconnect the negative battery terminal to prevent an accidental short circuit.
- 2 Unclip and remove ride control switch/blank plate at front edge of center console lid. (Figure A)
- 3 Remove (2) 9/32" screws from under plate removed in step 2. (Figure A)
- 4 Unclip and remove entire panel surrounding radio and including a/c controls. (Figure A)
- 5 Remove (4) 9/32" screws securing radio to extract from sub dash. (Figure A)



HUMMER H3 2006-2009

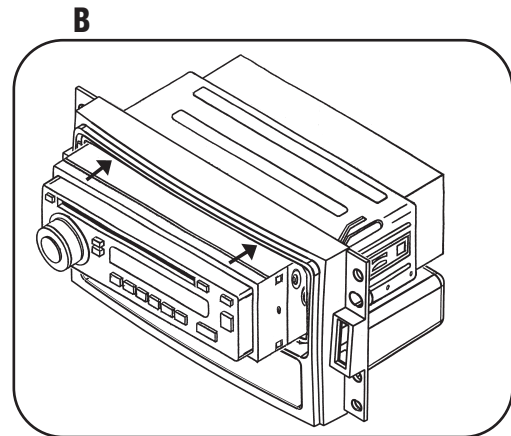
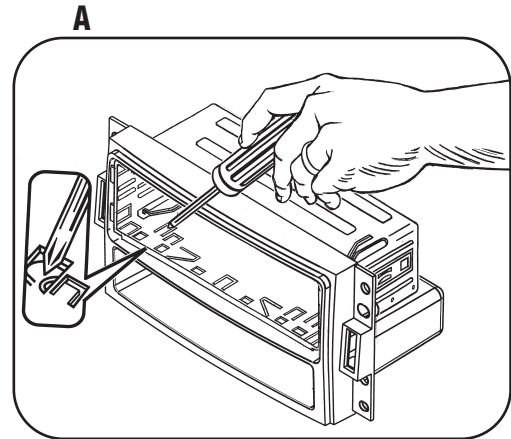


- 1 Disconnect the negative battery terminal to prevent an accidental short circuit.
- 2 Unclip and remove trim panel around radio and a/c controls. (Figure A)
- 3 Remove (4) 9/32" screws securing radio. (Figure B)
- 4 Unplug and remove radio.

DASH DISASSEMBLY

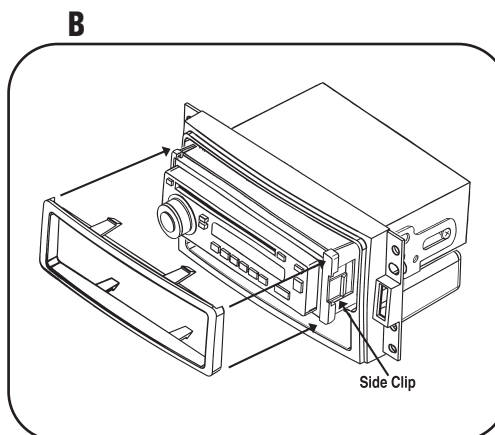
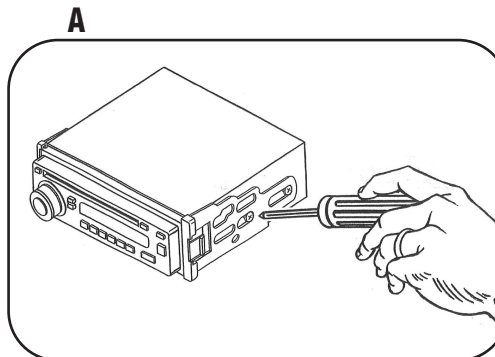
DIN HEAD UNIT PROVISIONS

- 1 Slide the DIN cage into the Radio Housing and secure by bending the metal locking tabs down. (Figure A)
- 2 Slide the aftermarket head unit into the cage and secure. (Figure B)



ISO DIN HEAD UNIT PROVISION

- 1 Mount the ISO Brackets to the head unit with the screws supplied with the unit. (Figure A)
- 2 Slide the head unit into the radio opening until the side clips engage. (Figure B)
- 3 Snap the Trim plate into the Radio Housing. (Figure B)



KIT ASSEMBLY

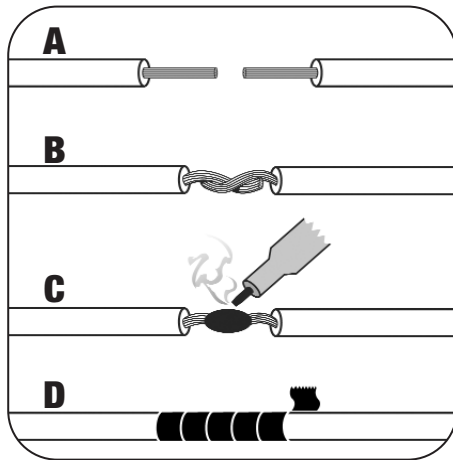


FINAL ASSEMBLY

- 1 Locate the factory wiring harness in the dash and make the connection as shown. Metra recommends using the proper mating adapter and making the connections as shown. (Isolate and individually tape off the ends of any unused wires to prevent electrical short circuit.)
- 2 Re-connect the negative battery terminal and test the unit for proper operation.
- 3 Reassemble radio and dash assemblies in reverse order of disassembly.

FINAL WIRING CONNECTIONS

Make wiring connections using the EIA color code chart shown below and the instructions included with the head unit. Metra recommends making connections as shown below; Strip, Splice, Solder, Tape. Isolate and individually tape off ends of any unused wires to prevent electrical short circuit.



- A) Strip wire ends back 1/2"**
- B) Twist ends together**
- C) Solder**
- D) Tape**

METRA / EIA WIRING CODE

12V Ignition / Acc . . . Red	Right Front (+) Gray
12V Batt / Memory . . Yellow	Right Front (-) Gray / Black
Ground Black*	Left Front (+) White
Power Antenna Blue	Left Front (-) White / Black
Amp Turn-On Blue / White	Right Rear (+) Violet
Amp Ground Black / White	Right Rear (-) Violet / Black
Illumination Orange	Left Rear (+) Green
Dimmer Orange / White	Left Rear (-) Green / Black

***NOTE:** When Black a wire is not present, ground radio to vehicle chassis.
All colors may not be present on all leads due to manufacturer's specifications.



1-800-221-0932



www.metraonline.com